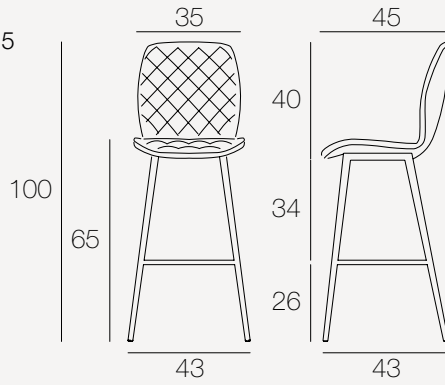


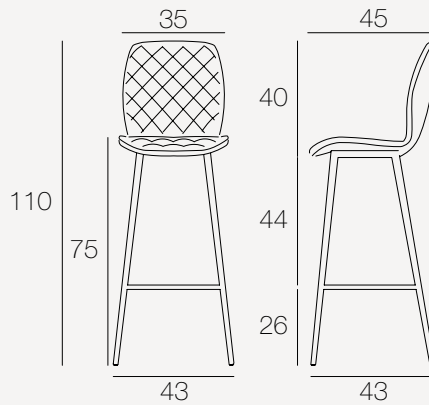
# VEGAS<sup>®</sup>



CH045



CH047



Unit : centimetre

REF :  
CH045 / CH047

Version shown  
CH045G2 / CH047M2

Category  
Chair

Use  
Interior

Model  
CH045 / CH047 : Swivel seat

Product sold in sets of 2

## FINISHES

Fabric :



Ocher yellow



Taupe



Grey



Charcoal

Base :



Matt black lacquered steel

## TECHNICAL INFORMATION

**Seat :**

Seat swivels 180°  
Light resistance : > 4  
Density of foam padding : 25kg/m3

**Fabric :**

100% polyester fabric  
Martindale : 60 000

**Polyurethan (on the back)\* :**

Dos 100% Polyuréthane  
Martindale : 60 000

\*Compliance with the standard NF EN ISO 5981 according to the FCBA laboratory (Determination of the resistance of polyurethan to different tests)

**Base :**

Powder coated steel\*

\*Powder coating is a «dry» spraying technique that uses no solvents that are harmful to people or the environment. This technique complies with European REACH regulations, which control the use of chemicals in industry.

Net weight : CH045 : 7,2 kg  
CH047 : 7,6 kg

Maximum supported weight : 120 kg

© Registered design (INPI : 20200478)

  
AKANTE<sup>®</sup>

www.akante.com

## PACKAGING

---

CH045 (Size : 43 x 45 x h100-65 cm)

| Number of packages<br>(2 chairs per package) | Gross weight<br>(product + packaging) | Package dimensions |
|--|---------------------------------------|--------------------|
| 1  | 16,4 kg                               | 57 x 47 x 87 cm    |

CH047 (Size : 43 x 45 x h110-75 cm)

| Number of packages<br>(2 chairs per package) | Gross weight<br>(product + packaging) | Package dimensions |
|--|---------------------------------------|--------------------|
| 1  | 17,2 kg                               | 57 x 47 x 97 cm    |