

TEXAS[®]

REF :
DT206 / DT207

Version shown
DT206TI (Titanium plate finish)

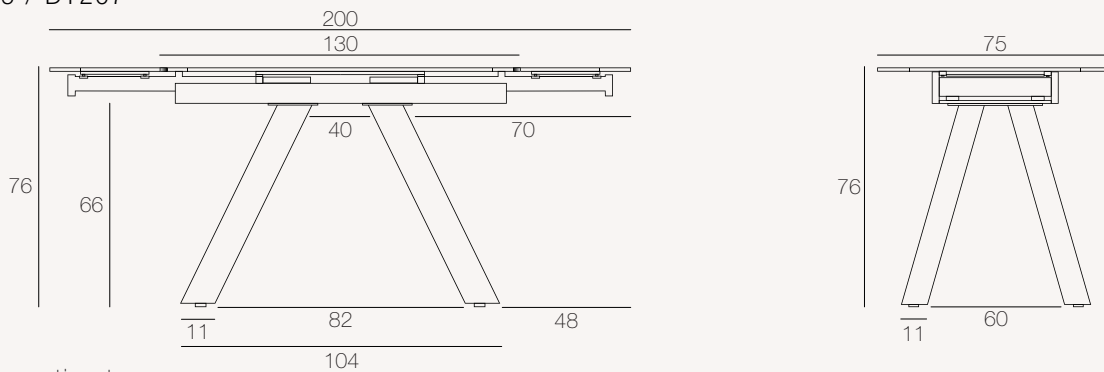
Category
Dining Table

For use
Interior

Dimensions available
DT206 / DT207 : 130/200 x 75 x h76 cm



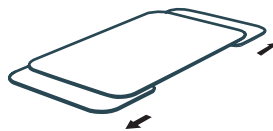
DT206 / DT207



Unit : centimetre

MECHANISM

Manual system of independent 35 cm side extensions



DT206 / DT207 : Up to 6 seats

DT206 / DT207 : Up to 8 seats

FINISHES

Ceramic top :



Titanium



Matt marble

Legs :



Matt black
lacquered steel



White black
lacquered steel


AKANTE[®]

www.akante.com

TECHNICAL INFORMATION

Top plate :

3 mm ceramic bonded to 8 mm glass

Legs :

Powder-coated steel*.

*Powder coating is a «dry» spraying technique that uses no solvents that are harmful to people or the environment. This technique complies with European REACH regulations, which control the use of chemicals in industry.

© Registered design INPI

Skids :

Adjustable glides to ensure stability.

Assembly time :

15 minutes

PACKAGING

DT206 / DT207 (Dimensions : 130/200 x 75 x h76 cm)

	Plate	Legs	Total
Number of packages	1	1	2
Gross weight (Product + packaging)	63.5 kg	21 kg	84.5 kg
Net weight	58.5 kg	19.5 kg	78 kg
Package size	128 x 82 x 18 cm	95 x 80 x 18 cm	