

PHOENIX[®]

REF :
DT169 / DT071

Version shown
DT071CC (Clear oak plate finish)

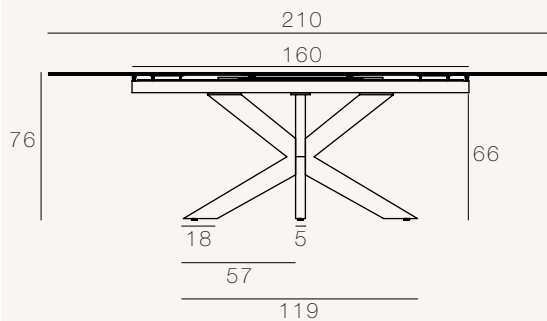
Category
Dining Table

For use
Interior

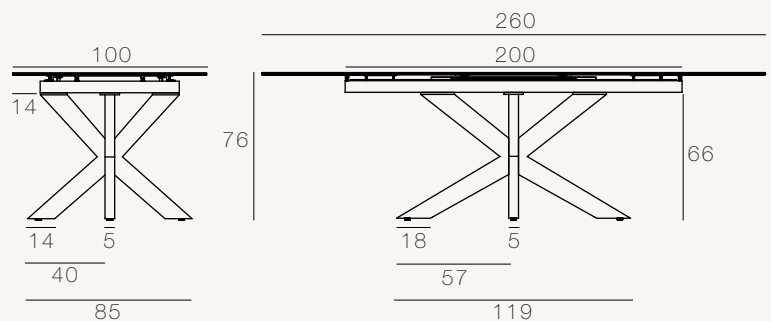
Dimensions available
DT169 : 160/210 x 100 x h76 cm
DT071 : 200/260 x 100 x h76 cm



DT169



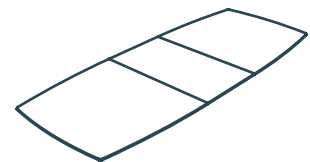
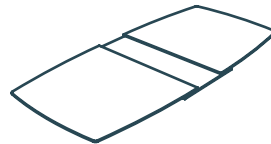
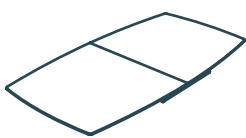
DT071



Unit : centimetre

MECHANISM

System with a central automatic extension of 50 or 60 cm.



DT169 : Up to 6 seats
DT071 : Up to 8 seats

DT169 : Up to 8 seats
DT071 : Up to 10 seats

FINISHES

Ceramic top :



Dark steel



Argile



Clear oak



Calcatta
Marble



Doro
Marble



Marquina
Marble



Titanium



Silver



Travertine



Fiorentino
Marble



Matt Marble

Legs :



Matt black
lacquered steel


AKANTE[®]

www.akante.com

TECHNICAL INFORMATION

Top plate :

3 or 6 mm ceramic bonded to 8 mm glass.

Skids :

Adjustable glides to ensure stability.

Legs :

Powder-coated steel*.

Assembly time :

15 minutes

*Powder coating is a «dry» spraying technique that uses no solvents that are harmful to people or the environment. This technique complies with European REACH regulations, which control the use of chemicals in industry.

© Registered design (INPI : 20190743)

PACKAGING

DT169 (Size : 160/210 x 100 x h76 cm)

	Plate	Legs	Total
Number of packages	1	1	2
Gross weight (Product + packaging)	85 kg	25 kg	110 kg
Net weight	75 kg	20 kg	95 kg
Package size	170 x 108 x 17 cm	124 x 95 x 14 cm	

DT071 (Size : 200/260 x 100 x h76 cm)

	Plate	Legs	Total
Number of packages	1	1	2
Gross weight (Product + packaging)	102 kg	25 kg	127 kg
Net weight	89 kg	20 kg	109 kg
Package size	209 x 108 x 18 cm	124 x 95 x 14 cm	