

# PAPYRUS<sup>®</sup>

REF :  
DT087

Version shown  
DT087AR (Argile plate finish)

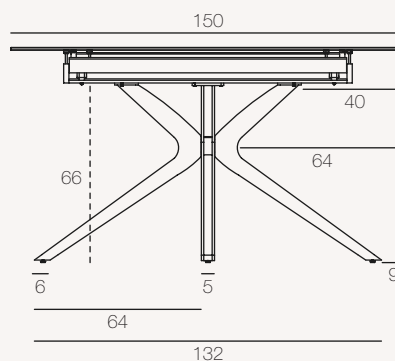
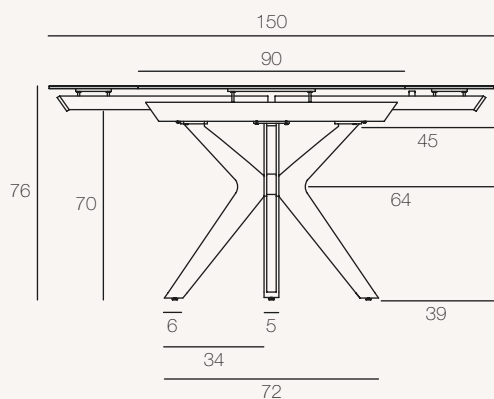
Category  
Dining Table

For use  
Interior

Dimensions available  
DT087 : 90/150 x 150 x 76 cm



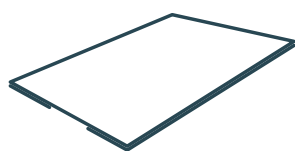
DT087



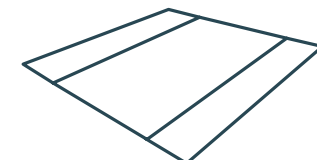
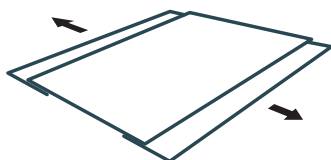
Unit : centimetre

## MECHANISM

Manual system with independent lateral extensions of 30 cm.



DT087 : Up to 6 seats



DT087 : Up to 8 seats

## FINISHES

Ceramic top :



Dark steel



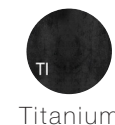
Argile



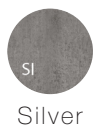
Clear oak



Marbre  
Calcatta



Titanium



Silver



Marquina  
marble



Matt marble

Legs :



Matt black  
lacquered steel

  
AKANTE<sup>®</sup>

[www.akante.com](http://www.akante.com)

# TECHNICAL INFORMATION.....

**Top plate :**

3 mm ceramic bonded to 8 mm glass,  
or 11 mm full-body ceramic.

**Skids :**

Adjustable glides to ensure stability.

**Legs :**

Powder-coated steel\*.

**Assembly time :**

15 minutes

\*Powder coating is a «dry» spraying technique that uses no solvents that are harmful to people or the environment. This technique complies with European REACH regulations, which control the use of chemicals in industry.

© Registered design (INPI : 20222320)

# PACKAGING.....

DT087 (Size : 90/150 x 150 x 76 cm)

	Plate	Legs	Total
Number of packages	1	1	2
Gross weight (Product + packaging)	95 kg	44 kg	139 kg
Net weight	87 kg	39 kg	126 kg
Package size	159 x 98 x 18 cm	100 x 88 x 16 cm	