

# MEXICO<sup>®</sup>



REF :  
DT146

## Version shown

DT146TA ((plate finish Travertine))

## Category

Dining Table

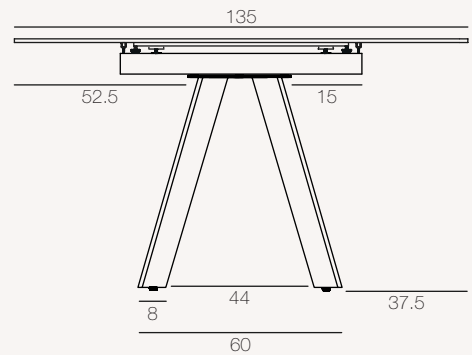
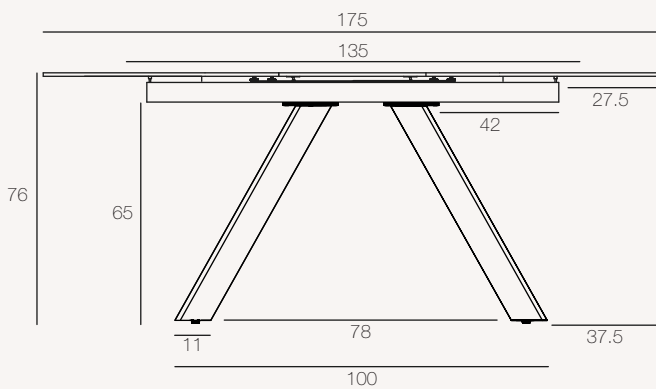
## For use

Interior

## Dimensions available

DT146 : 135/175 x 135 x h76 cm

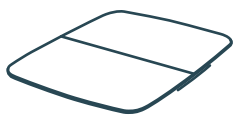
DT146



Unit : centimetre

## MECHANISM

System with a 40 cm automatic central extension.



DT146 : Up to 6 seats

DT146 : Up to 8 seats

## FINISHES

Ceramic top :



Dark steel



Argile



Clear oak



Matt marble



Titanium



Silver



Travertine

Legs :



Matt black  
lacquered steel

  
AKANTE<sup>®</sup>

[www.akante.com](http://www.akante.com)

## TECHNICAL INFORMATION

**Top plate :**

3 mm ceramic bonded to 8 mm glass

**Legs :**

Powder-coated steel\*.

\*Powder coating is a «dry» spraying technique that uses no solvents that are harmful to people or the environment. This technique complies with European REACH regulations, which control the use of chemicals in industry.

© Registered design (INPI : 20244788)

**Skids :**

Adjustable glides to ensure stability.

**Assembly time :**

15 minutes

## PACKAGING

DT146 (Size : 135/175 x 135 x h76 cm)

	Plate	Legs	Total
Number of packages	1	1	2
Gross weight (Product + packaging)	114 kg	21 kg	135 kg
Net weight	104 kg	19.5 kg	123.5 kg
Package size	140 x 140 x 20 cm	94 x 79 x 18 cm	