

FASCINATION[®]

REF :
DT086

Version shown
DT086AR (Argile plate finish)

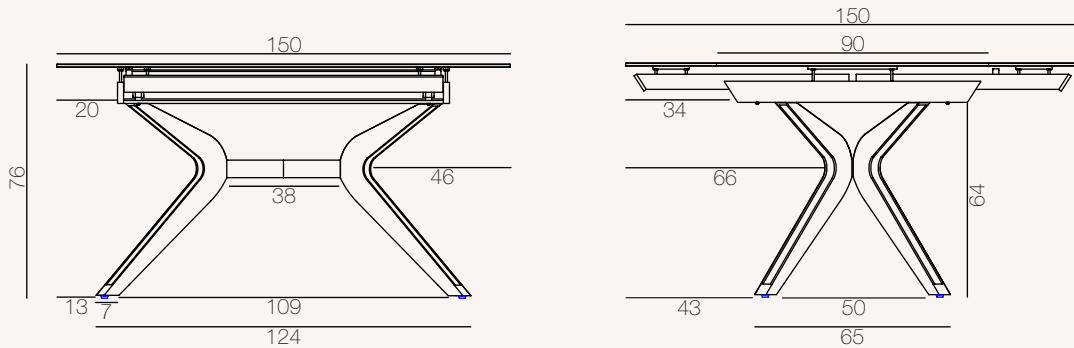
Category
Dining Table

For use
Interior

Dimensions available
DT086 : 90/150 x 150 x 76 cm



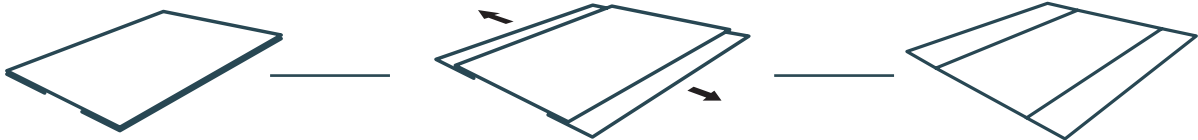
DT086



Unit : centimetre

MECHANISM

Manual system of independent 30 cm side extensions



DT086 : Up to 6 seats

DT086 : Up to 8 seats

FINISHES

Ceramic top :



Dark steel



Argile



Marquina
Marble



Calcatta
Marble



Silver



Clear oak



Titanium



Matt marble

Legs :



Matt black
lacquered steel


AKANTE[®]

www.akante.com

TECHNICAL INFORMATION

Top plate :

3 mm ceramic bonded to 8 mm glass or 11 thick full body ceramic.

Skids :

Adjustable glides to ensure stability.

Legs :

Powder-coated steel*.

Assembly time :

15 minutes

*Powder coating is a «dry» spraying technique that uses no solvents that are harmful to people or the environment. This technique complies with European REACH regulations, which control the use of chemicals in industry.

© Registered design (INPI : 20200478)

PACKAGING

DT086 (Size : 90/150 x 150 x 76 cm)

	Plate	Legs	Total
Number of packages	1	1	2
Gross weight (Product + packaging)	95 kg	40 kg	135 kg
Net weight	87 kg	35 kg	122 kg
Package size	159 x 98 x 18 cm	85 x 74 x 14 cm	