

CONNEXION[®]

REF:
DT110

Version shown

DT110MA (matt marble plate finish)

Category

Dining Table

For use

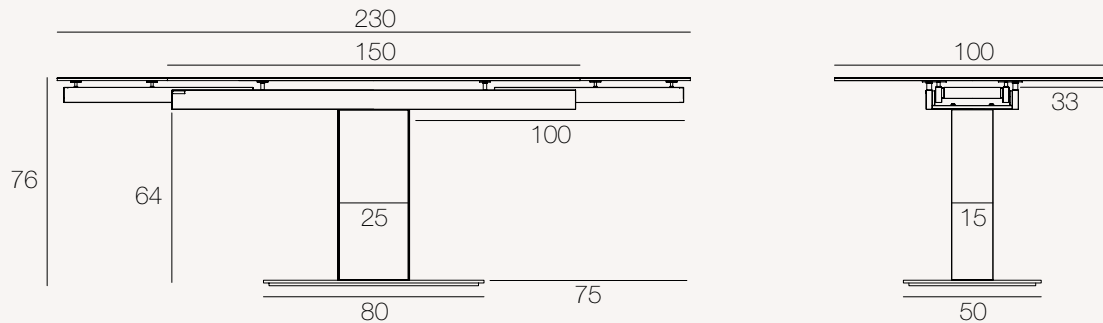
Interior

Dimensions available

DT110: 150/230 x 100 x h76 cm



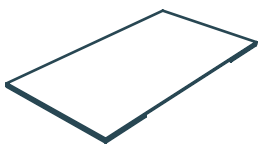
DT110



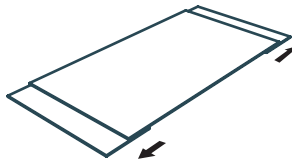
Unit: centimetre

MECHANISM

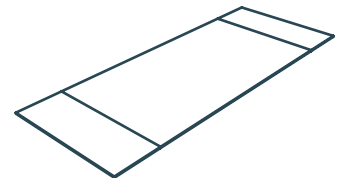
Manual system of independent 40 cm side extensions



DT110: Up to 6 seats



DT110: Up to 8 seats



FINISHES

Ceramic top:



Dark steel



Argile



Clear oak



Calcatta
Marble



Doro
Marble



Titanium



Silver



Travertin



Fiorentino
Marble



Matt
Marble

Legs:



Black lacquered steel


AKANTE[®]

www.akante.com

TECHNICAL INFORMATION.....

Top plate:

3 or 6 mm ceramic bonded to 8 mm glass

Skids:

Adjustable glides to ensure stability

Legs:

Black Powder-coated steel*

Assembly time:

15 minutes

*Powder coating is a «dry» spraying technique that uses no solvents that are harmful to people or the environment. This technique complies with European REACH regulations, which control the use of chemicals in industry.

© Registered design (INPI: 20215513)

PACKAGING.....

DT110

	Plate	Legs	Total
Number of packages	1 package	2 packages	3
Gross weight (Product + packaging)	95 kg	42 + 20 kg	157 kg
Net weight	82 kg	40,5 + 19 kg	141,5 kg
Package size	159 x 108 x 17 cm	86 x 56 x 9 cm	
		68 x 32 x 21 cm	