

CONNEXION[®]



REF :
DT110

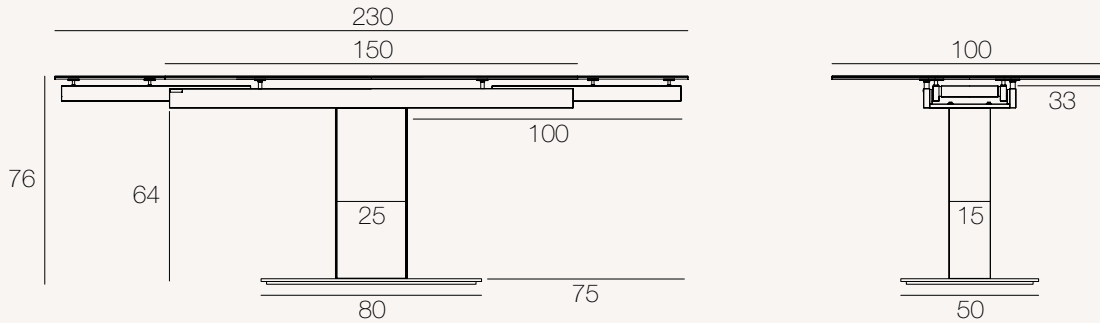
Version shown
DT110MA (matt marble plate finish)

Category
Dining Table

For use
Interior

Dimensions available
DT110 : 150/230 x 100 x h76 cm

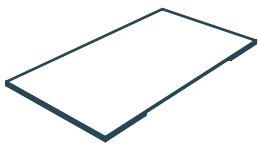
DT110



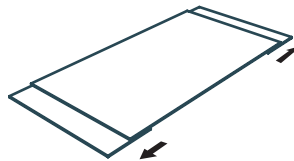
Unit : centimetre

MECHANISM

Manual system of independent 40 cm side extensions



DT110 : Up to 6 seats



DT110 : Up to 8 seats

FINISHES

Ceramic top :



Dark steel



Argile



Clear oak



Titanium



Silver



Matt marble

Legs :



Black lacquered steel


AKANTE[®]

www.akante.com

TECHNICAL INFORMATION.....

Top plate :

3 mm ceramic bonded to 8 mm glass

Skids :

Adjustable glides to ensure stability

Legs :

Black Powder-coated steel*

Assembly time :

15 minutes

*Powder coating is a «dry» spraying technique that uses no solvents that are harmful to people or the environment. This technique complies with European REACH regulations, which control the use of chemicals in industry.

© Registered design (INPI : 20215513)

PACKAGING.....

DT110

	Plate	Legs	Total
Number of packages	1 package	2 packages	3
Gross weight (Product + packaging)	95 kg	42 + 20 kg	157 kg
Net weight	82 kg	40,5 + 19 kg	141,5 kg
Package size	159 x 108 x 17 cm	86 x 56 x 9 cm	
		68 x 32 x 21 cm	