

LEON

REF :
CH020

Version shown
CH020BL1

Category
Chair

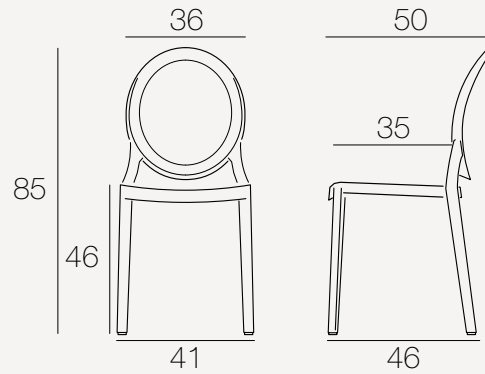
Use
Interior / Exterior

Model
CH020 : Stackable chairs

Sold by 2 pieces only



Unit : centimetre



FINISHES

Polypropylene :



Blue



Lemon



Red



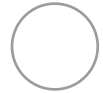
Taupe



Orange



Black



White

TECHNICAL INFORMATION

Seat :

Stackable chairs
Polypropylene

Net weight : 4 kg

Maximum supported weight : 120 kg

PACKAGING

Number of packages (2 chairs per package)	Gross weight (product + packaging)	Package dimensions
1	8.5 kg	54 x 44 x 100 cm


AKANTE®

www.akante.com