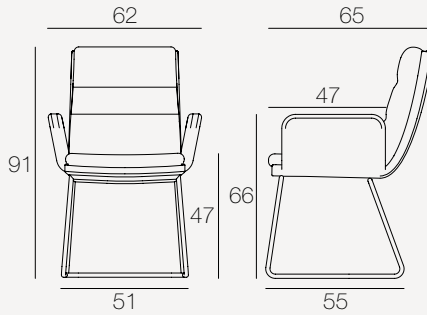


COPENHAGUE[®]



Unit : centimetre



REF :
CH055

Version shown
CH055OC

Category
Chair

Use
Interior

Model
CH055 : fixed seat

Product sold in sets of 2

FINISHES

Fabric :



Off white



Beige



Blue



Charcoal



Fir green



Light grey



Ochre



Terracotta

Base :



Matt black lacquered steel

TECHNICAL INFORMATION

Seat :

Fixed seat

Density of foam padding : 25kg/m³

Fabric :

100% polyester fabric

Martindale : 60 000

Light resistance : 5/5

Resistance to pilling : 5/5

Resistance of colour to rubbing : 5/5

Fire resistance : Complies with current European standard
EN 1021-1 (cigarette resistance)

Fire resistance : Complies with current European standard
EN 1021-1 (flame resistance)

Base :

Powder coated steel*

*Powder coating is a «dry» spraying technique that uses no solvents that are harmful to people or the environment. This technique complies with European REACH regulations, which control the use of chemicals in industry.

Net weight : 8.5 kg

Maximum supported weight : 120 kg

PACKAGING

Number of packages (2 chairs per package)	Gross weight (product + packaging)	Package dimensions
1	18 kg	88 x 65 x 63 cm


AKANTE[®]

www.akante.com