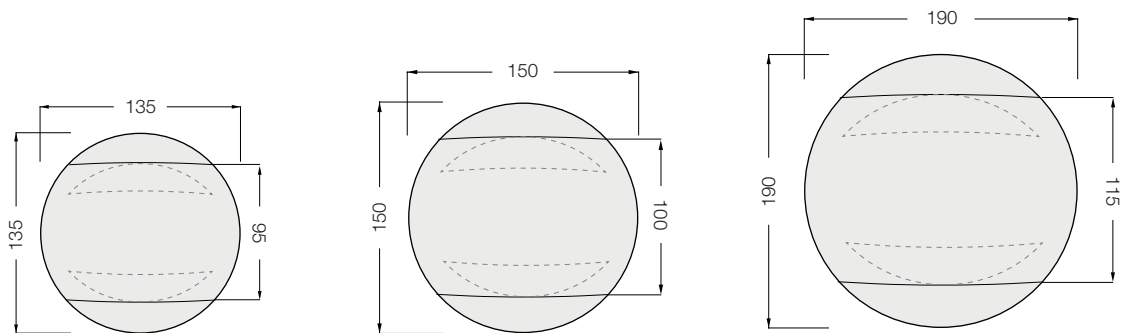


Customise your dining table

The Luna mechanism

The Luna dining table has a patented synchronized mechanism. It allows you to go from a rectangular table with rounded edges to a round table by simple rotation.

3 Plate dimensions



DT317

95/135 x 135 x H76 cm

DT335

100/150 x 150 x H76 cm

DT158*

115/190 x 190 x H76 cm

*This dimension is only available in the following finishes: CB, CO, CR, MC, MD, MM, MR and PA

8 Table legs



NEW LUNA DT317CC



NEW AUSTIN DT418TI



NEW ICONE DT437SI



AJACCIO DT367MM



NEW SEATTLE DT489TA



GRANDE AUSTIN* DT158MD



GRANDE ICONE* DT061MC



GRANDE AJACCIO* DT057MR



DT158MR

15 Ceramic finishes



3 Additional base colors for NEW LUNA

