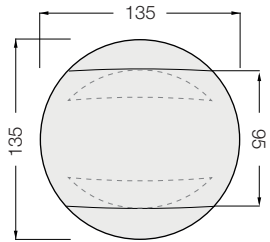


Customise your dining table

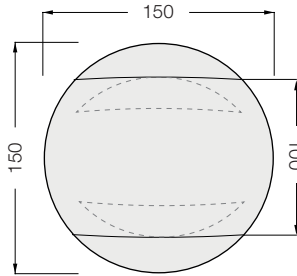
⚙️ The Luna mechanism

The Luna dining table has a patented synchronized mechanism. It allows you to go from a rectangular table with rounded edges to a round table by simple rotation.

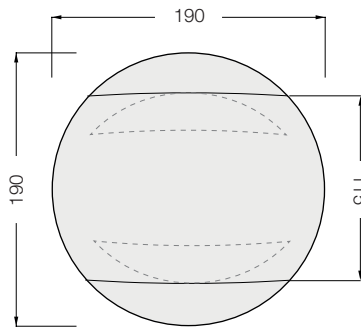
📏 3 Plate dimensions



DT217
95/135 x 135 x h76 cm



DT235
100/150 x 150 x h76 cm



DT058*
115/190 x 190 x h76 cm

🪑 5 Table legs



NEW LUNA DT215AR
Grey lacquered steel



NEW LUNA DT217CC
Matt black
lacquered steel



NEW LUNA DT218SD
Brushed stainless steel



NEW LUNA DT219MA
White lacquered steel



NEW ICONE DT137SI
Matt black
lacquered steel



NEW AUSTIN DT187MC
Matt black
lacquered steel



NEW SEATTLE DT189TI
Matt black
lacquered steel



GRANDE AUSTIN DT058MD*
Matt black
lacquered steel



DT058MR

🌀 11 Ceramic finishes



AR

Argile



TI

Titanium



CC

Clear Oak



SI

Silver



SD

Steel Dark



TA

Travertine



MC
Calcatta
Marble



MM
Marquina
Marble



MD
Doro
Marble



MA
Matt
Marble



MR
Fiorentino
Marble

*Only available for the Grande Austin with the finishes MC, MM, MD and MR.

AKANTE
CREATORS OF CONTEMPORARY FURNITURE

www.akante.com